

Safety net for trampoline



READ THIS FIRST!!!

Thank you for purchasing our product

IN CASE OF MISSING OR BROKEN PARTS, PLEASE CONTACT PLACE OF PURCHASE FOR ASSISTANCE.

Adult Supervision*Adult assembly required.

*Adult supervision required for children using Safety net.

Protect Children: *Prevent falls and strangulation---Exit through the door only, and use caution.

*Assist young children in and out of Safety net.

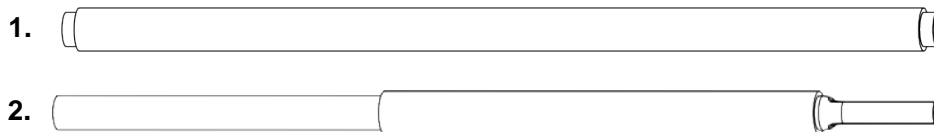
ASSEMBLY INSTRUCTION FOR PROTECTIVE NET

1. PACKAGE CONTENTS :

Reference Number	Description	10'/12'/13'/14'/15'/16' (6 Legs)	10'/12'/13'/14'/15' (5 Legs)	8'10'/12'/13'14' (4 Legs)	6'8'/10' (3 Legs)
1	Steel Pipe	not supplied	not supplied	not supplied	not supplied
2	Steel Pipe	not supplied	not supplied	not supplied	not supplied
3	Steel Jig	not supplied	not supplied	not supplied	not supplied
4	Screw Set	not supplied	not supplied	not supplied	not supplied
5	Safety Net	1PC	1PC	1PC	1PC
6	Spacer	not supplied	not supplied	not supplied	not supplied
7	Pole Cover	6 or 12PCS	5 or 10PCS	4 or 8PCS	3 or 6PCS
8	CAP	6 or 12PCS	5 or 10PCS	4 or 8PCS	3 or 6PCS
9	Safety Nut	not supplied	not supplied	not supplied	not supplied
10	Spanner	not supplied	not supplied	not supplied	not supplied
11	Fix Strap	6 or 12PCS	5 or 10PCS	4 or 8PCS	3 or 6PCS

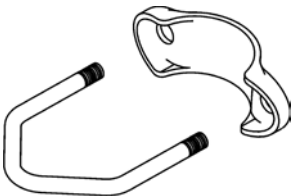
2. DIAGRAMS FOR PARTS:

TUBE:



OTHERS:

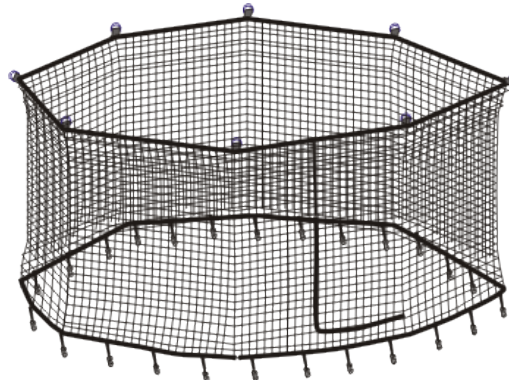
3. Steel Jig



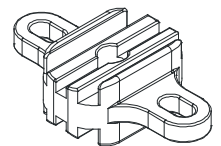
4. Screw Set



5. Safety Net



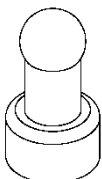
6. Spacer



7. Pole Cover



8. CAP



9. Safety Nut



10. Spanner



11. Fix Strap



WARNING: To avoid strangulation and entanglement; keep all cords out of the reach of young children.

WARNING: READ AND FOLLOW THIS INSTRUCTION, PRIOR TO ASSEMBLE AND USE OF THIS EQUIPMENT.

ASSEMBLY INSTRUCTION FOR PROTECTIVE NET

STEP 1: CONNECT POLES #1 AND #2 TOGETHER AS SHOWN IN FIGURE 1 ENSURING THE LOCKING MECHANISM CLICKS INTO PLACE. PULL THE SLEEVE OVER THE POLES AND THE FOAM AS SHOWN IN FIGURE 2.



FIGURE 1



FIGURE 2



FIGURE 3

STEP 2: USING THE STEEL JIG (SEE A1 AND A2). THE SUPPORT POLES SHOULD REACH THE BASE OF THE TRAMPOLINE LEGS. ONCE THE ASSEMBLY HAS BEEN COMPLETED PROPERLY, THE SUPPORT POLES SHOULD LOOK LIKE FIGURE 4.

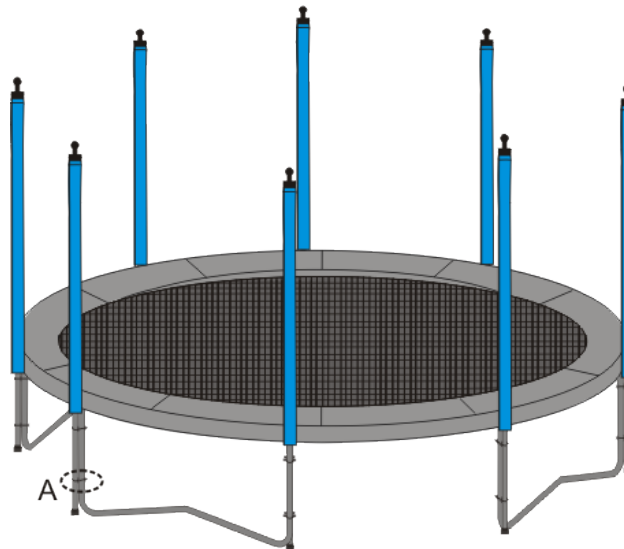
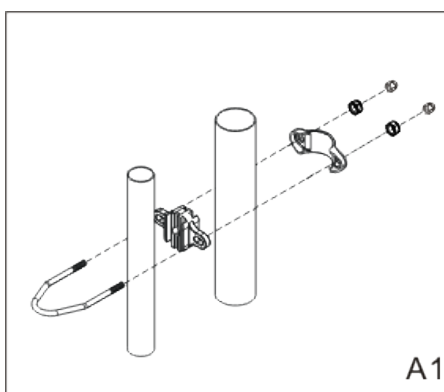
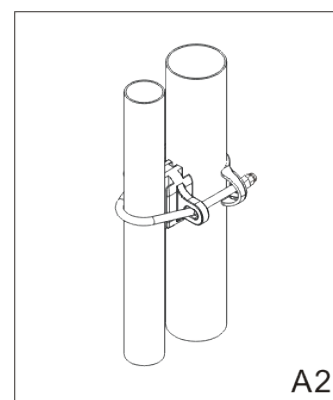


FIGURE 4



A1

A1: Fixing support pipes onto trampoline legs with two special jigs, two spacer and firm them use screw set (2 jigs for a stand pipe).



A2

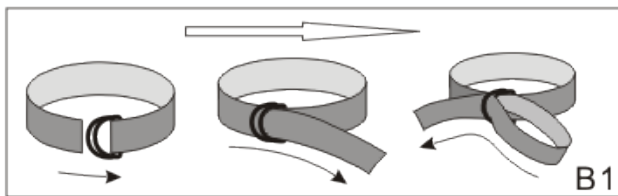
A2: Hooking the topper jig use a plastic hook sewn on safety net to firm the safety equipment.

The **Screw Set** must be on the inside, underneath the trampoline. **IMPORTANT** - Do not attach the Upper **Steel Jig** to the "T" piece on the Frame. The **Steel Jig** must be located on the leg only.

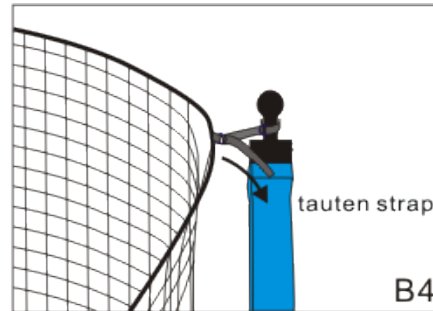
STEP 3:



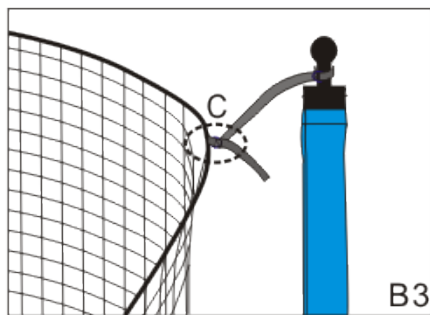
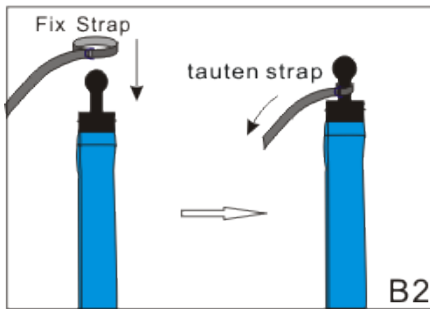
FIGURE 5



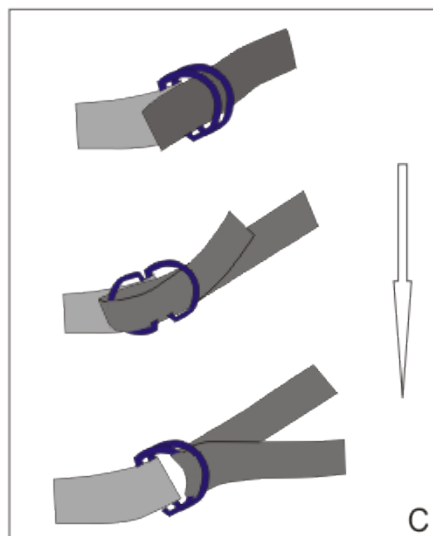
⚠ WARNING: To avoid strangulation and entanglement; keep all cords out of the reach of young children.



B4: Do not tighten the straps until all straps are set up and then tighten all straps at a time to adjust the length.

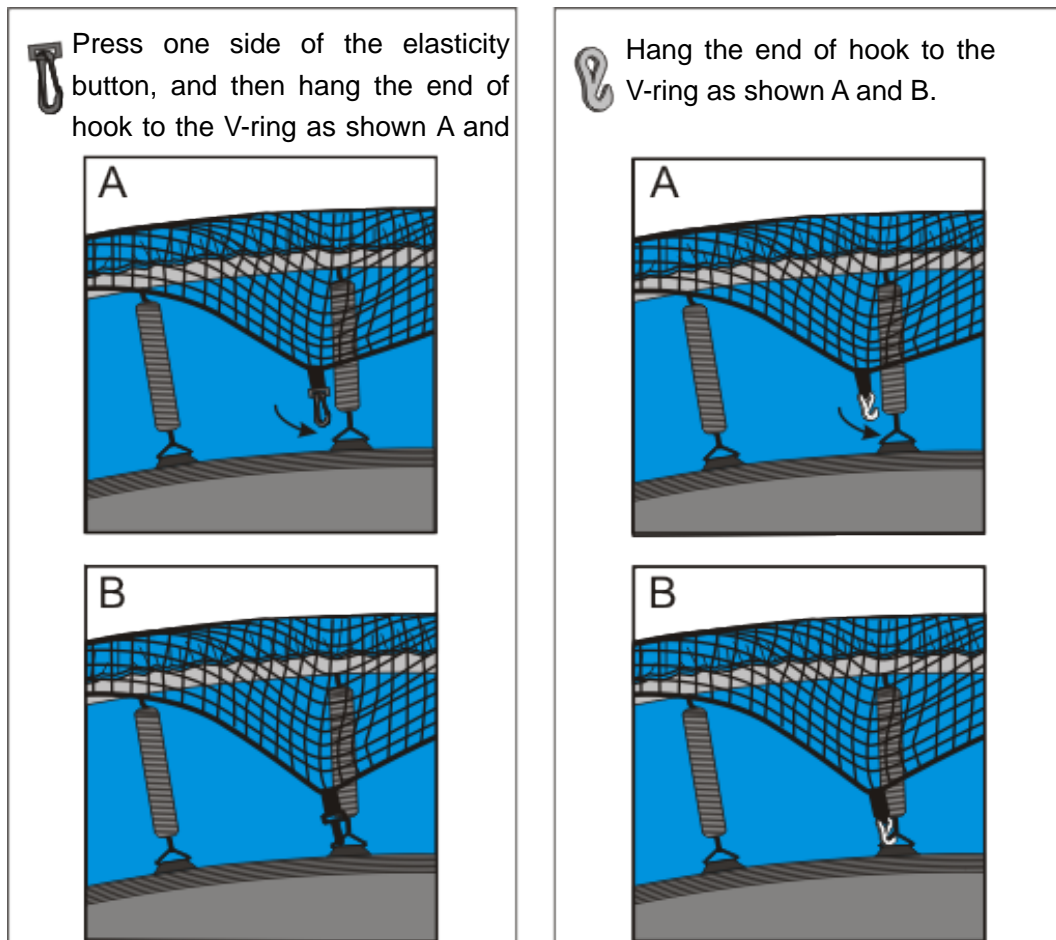


B3: Repeat the steps B1 and B2 to set up all straps in order



ASSEMBLY INSTRUCTION FOR PROTECTIVE NET

STEP 4:



STEP 5: HOOK TO THE V-RING AS ORDER AS **FIGURE 6**

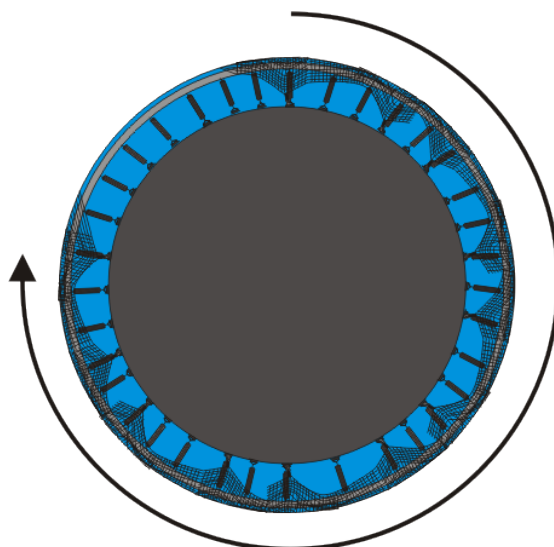


FIGURE 6

ASSEMBLY INSTRUCTION FOR PROTECTIVE NET

STEP 6: WHEN YOU SET UP AS SAME AS **FIGURE 7**. YOU NEED MORE FORCE TO PULL DOWN THE NET (MAY NEED TO TWO OR MORE ADULTS HELP HERE). THIS IS SO THE NETTING IS VERY TIGHT FOR TRAMPOLINE TO PROTECT YOUR CHILDREN TO THE FULLEST.



FIGURE 7

! IMPORTANT WARNING!!

YOU SHOULD GO BACK NOW AND STRETCH ALL ATTACHMENT HOOKS TIGHT AND DOUBLE CHECK TO SEE WHETHER YOU HAVE FASTENED THE JIGS USE THE SCREW SETS OR NOT, SO THE SAFETY NET STANDS STIFF. OTHERWISE, THE SAFETY NET WILL NOT FUNCTION PROPERLY. THEN FINISH ASSEMBLING.

IMPORTANT – PLEASE READ!
WARNING – GENERAL SAFETY ADVICE

- Please read the instructions before use, and retain for future reference.
- Ensure the trampoline Safety Net has been assembled correctly, as per the instructions in the manual.
- Children **MUST NEVER** use the trampoline unless supervised by a responsible adult with knowledge of trampoline use.
- Children **MUST NEVER** be left unattended inside the Safety Net at any time.
- **ALWAYS** follow the safety warnings stated with your trampoline instructions in conjunction with using Safety Net.
- **DO NOT** climb, swing or intentionally jump onto the panels or poles of the Safety Net.
- If the Safety Net material becomes damaged refrain from use.
- The Safety Net is **ONLY** intended to be used to reduce the risk of injury from falling off the trampoline.
- **DO NOT** let children take items or toys into the Safety Net.
- Please read and refer to other warnings and use information in the trampoline and Safety Net instructions before use.

Please retain this information for future reference.

Care & Use

- Assembly Information - This Safety Net must be assembled by an adult. They must be assembled exactly in accordance with the assembly instructions. Enlisting the aid of a helper will make assembly easier. This Safety Net contains small parts and is not suitable for children under 3 years. Please take an inventory of all parts before assembly. Should there be any missing parts, the equipment must not be used until replacement parts have been fitted.
- Location – Your trampoline must be placed on a flat and level surface which is well-lighted. Under no circumstances should it be positioned on a hard surface such as concrete or asphalt, unless the ground under the trampoline has free-space of 2 meters surrounding the trampoline and is covered with a safety surface as well as a 8 meters clearance space in height Examples of suitable surfaces are grass, sand or a play surface intended for this trampoline. It is important not to place or store anything under your trampoline. Please also read the instructions accompanied with your trampoline.

Safety Information

- This Safety Net is designed and made for family domestic use only by people 6 years and older. It is not a rebounding device. It is designed as an Safety Net to

(1) control entry and exit to and from the trampoline and,

(2) allow jumpers to gain confidence, balance, coordination and agility without the fear of rebounding off the trampoline, where injury could occur.

- Adult supervision of children – Children should always be supervised while they are playing on the trampoline fitted with a Safety Net and should be instructed not to use it in an inappropriate or hazardous manner. In particular be aware of:
 - The objects children bring into the Safety Net
 - Children's activities inside the Safety Net
 - Conditions inside the Safety Net when children are using it
 - The way children get into and out of the Safety Net
- Children should not wear cycle helmets while playing on the trampoline.
- The frame of your trampoline is made of steel and it will conduct electricity. No electrical equipment (lights, heaters, extension cords, household appliances, etc.) should be permitted in or on the Safety Net under any circumstances to avoid the risk of electrocution.
- Never allow more than one person to use the trampoline at a time. Multiple users may collide with each other and this can result in serious injury.
- As your trampoline mat is raised off the ground, there is the risk of a fall when exiting the trampoline through the door of the Safety Net. Children should be assisted when entering and exiting the Safety Net so to reduce their risk of falling.
- Only the door of the trampoline Safety Net should be used to enter or exit the Safety Net.
- Weather conditions – Special care should be taken as weather conditions change. In particular, surfaces can become slippery in wet weather and tongues and lips can stick to the metalwork at subzero temperatures. In warmer and sunnier weather, parts can become hot, and temperatures should be regularly checked during use, especially metal parts.

Care & Maintenance of Your Trampoline

- With all products it is vital that the equipment is checked regularly and often by an adult. The complete products should be checked at least once a month, and particular attention should be paid to connections and fastenings. If any parts exhibit signs of wear and tear, they may need to be replaced. Failure to do this may result in the product malfunctioning and causing injury.
- The product must not be used until properly and fully installed and checked. Galvanised tubular products may require occasional maintenance. If surface rust appears it should be removed with either a wire brush or coarse sandpaper, and the area treated with non-toxic paint.
- To avoid damage to the Safety Net, do not allow pets or other animals inside. Their claws and teeth can damage the netting and the trampoline mat.
- Make sure that no bonfires are lit close enough to threaten your trampoline and Safety Net. In windy conditions, sparks and embers can travel significant distances and burn holes in both the Safety Net netting and trampoline mat.
- Any large trampoline, with or without a Safety Net, can be blown around in high winds and cause injury or damage. We recommend that the Safety Net should be removed under these conditions and stored in a dry place.